

free

- Mounting options
- Product dimensions
- Exploded drawing
- Technical data



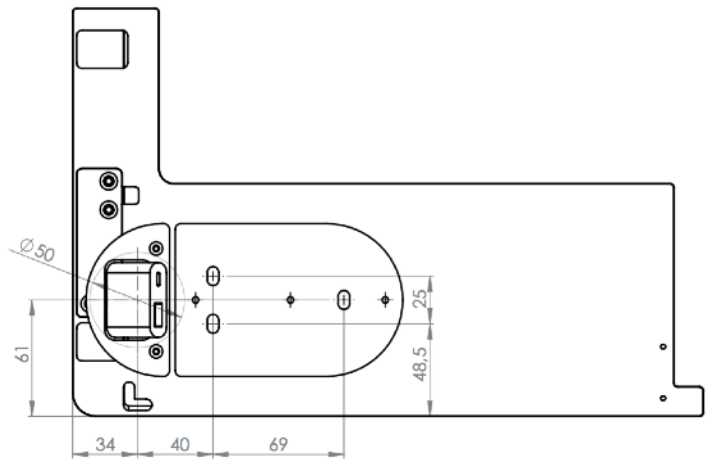
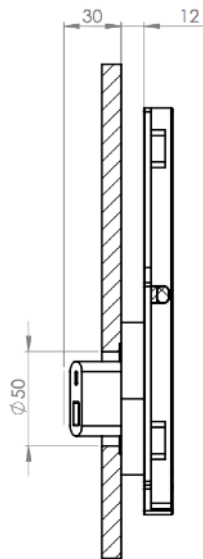
Install free in ... 1. Furniture

For installation in furniture, cabinets, wooden materials displays etc., in mm

Installation **without** flush mount box.

Direct screw-mounting.

Power supply: 12Vdc



MountingSet Furniture
Article 310300

incl. power supply and
mounting materials.

side view
from left to right: Mounting plate, free.
Please note: Use holesaw $\varnothing 50$ mm to put the connector through.

back view
The size of free varies depending on the iPad generation. Mounting plate is always the same, it allows you to change iPad generation easily. Scaled mounting template is available on www.viveroo.com

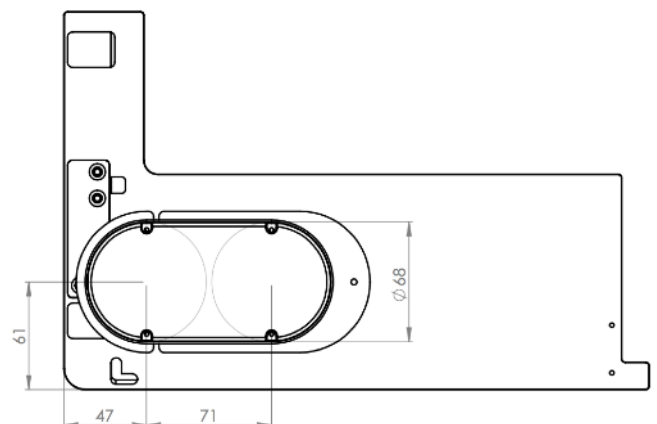
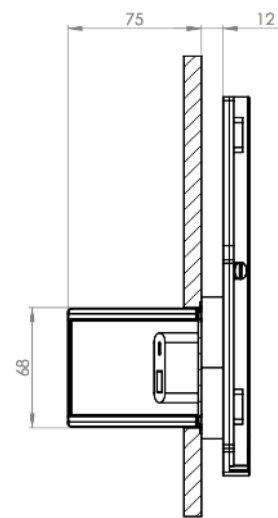
Install free in ... 2. Walls

Installation in drywall, stone or solid wall, in mm

Installation **with** flush mount box.

Attach free to the mounting plate. Flush mount box is behind mounting plate.

Power supply: 110-230Vac



MountingSet Inwall
Article 310200

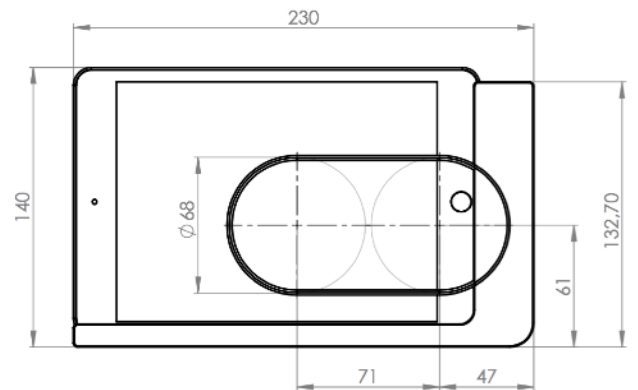
incl. flush mount box, power
supply and mounting material

side view
from left to right: Flush mount box, mounting plate, free

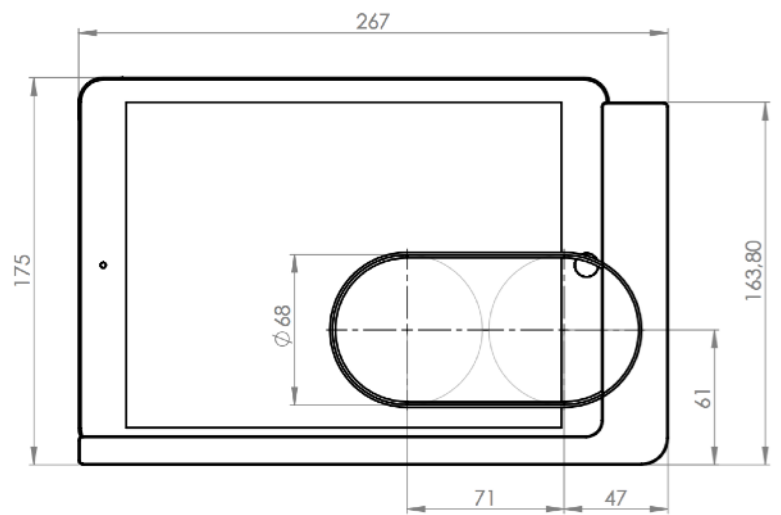
back view
The size of free varies depending on the iPad generation. Mounting plate is always the same, it allows you to change iPad generation easily.

Product dimensions, in mm

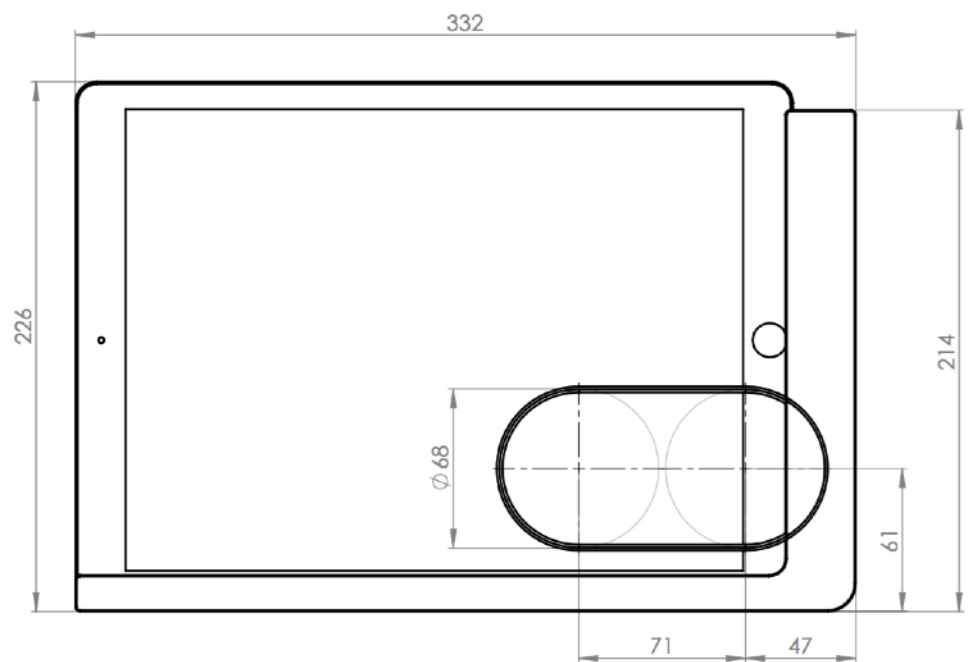
free for ...
... iPad mini 4



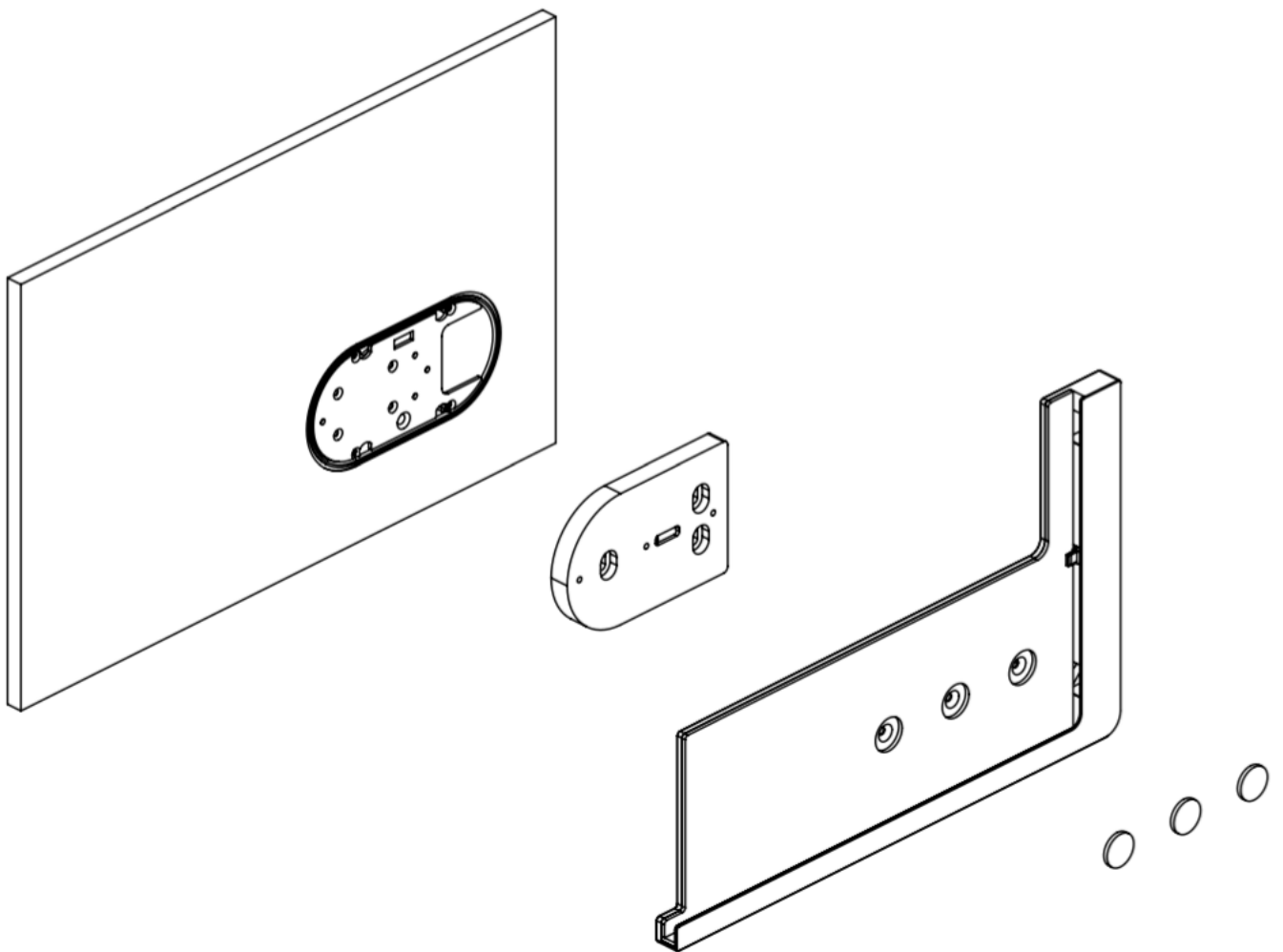
... iPad Air 2 & iPad Pro 9,7"



... iPad Pro 12,9"



Exploded drawing



Technical data

free

Product contents	<ul style="list-style-type: none"> - User manual free - free <p>Please note! External cable, power supply and mounting screws are included in loop MountingSet.</p>
Compatibility	Electrical operation of free is permitted only in connection with free MountingSet and power supply and cable included in the MountingSet. Operation of free without a MountingSet will lead to immediate loss of guarantee and warranty.
Weight in gram	<ul style="list-style-type: none"> for iPad mini: 876 for iPad Air 2 / Pro 9,7": 924 for iPad Pro 12,9": 1.010
Electrical connections	<ul style="list-style-type: none"> Power supply: 5,2 Vdc via Lightning connector Data interface: USB 3 connector
Disconnect from power supply	free may be removed from the power supply via the circuit breaker in the respective rooms.
CE & Co.	<p>All frees have CE certification. free is quality "Made in Germany". We use only high-quality parts and components produced by market leaders. free customers are proud of their iPad Garage.</p> <p>*) Technical changes and mistakes are excepted.</p>

MountingSet Furniture

Product contents	<ul style="list-style-type: none"> - Installation guide Furniture - USB Power Adapter with 1m Lightning charging cable - 2m Euro extension cable - true-to-scale drilling template
Electrical connections	<ul style="list-style-type: none"> Input voltage: 200-240 Vac, 50 Hz via Europlug Output voltage: 5,2 Vdc via Lightning connector

MountingSet Inwall

Product contents	<ul style="list-style-type: none"> - Installation guide Inwall - free flush-mount box with installation disc, incl. integrated level - Power supply (IN: 100-240 Vac, 50-60 Hz, OUT: 5,2 Vdc) installed on installation disc, pre-installed Lightning cable
Electrical connections	<ul style="list-style-type: none"> Power supply: 100-240 Vac, 50-60 Hz Power consumption: 18 watt