

# Installation guide

## MountingSet Inwall, free

viveroo

free

viveroo GmbH  
Wewelsburger Straße 4  
33154 Salzkotten  
Germany  
[www.viveroo.com](http://www.viveroo.com)



REV20170302

# Safety information



## ! Important

Please read the assembly instructions included carefully before installing the MountingSet. Please also read the free user manual completely before using your free. Please follow the instructions and recommendations to ensure proper use and maximum enjoyment.

## Safety information

free and all free mounting sets are intended for use in enclosed and dry living spaces.

The following conditions must be provided:

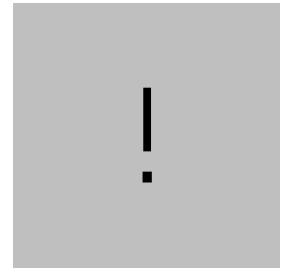
- Operating temperature between 0° C (32° F) and 35° C (95° F).
- Relative humidity (during use): 20 % to 90 %, non-condensing.
- No external environmental influences such as oil, chemicals, salt, extensive dust, etc.

Installation, service or repairs, if necessary, may only be performed by authorized persons.

The installer is responsible for selecting the proper mounting location and safe installation of free. This also applies to installation in movable parts, such as doors. The installer is responsible for performing and documenting all necessary safety tests.

All electrical installation work may only be conducted by authorized, trained electricians, always adhering to the general rules and regulations applying to electrical installation.

Should it become apparent that safe operation of free is not assured, then free must immediately be taken out of service and secured against potential misuse. If the free functions are limited, blocked or disabled, if an unusual odor is present, if noises such as scratching are audible or damage is visible, safe operation can no longer be guaranteed.



# Technical Data



**Product contents**

- Installation guide Inwall
- free flush-mount box with installation disc, incl. integrated level
- Power supply (IN: 100-240 Vac, 50-60 Hz, OUT: 5,2 Vdc) installed on installation disc, pre-installed Lightning cable

**Compatability**

Electrical operation of free is permitted only in connection with free MountingSet and power supply and cable included in the MountingSet. Operation of free without a MountingSet will lead to immediate loss of guarantee and warranty.

**Measurements in millimeter**

Measurements design cover free for ...

... iPad mini 4	230 x 133
... iPad Air 2 & iPad Pro 9,7"	267 x 164
... iPad Pro 12,9"	332 x 214

Depth free	15
------------	----

Size of opening (for flush-mounted box)	elongated hole 68x139
--	-----------------------

Installation depth (for flush-mounted box)	75
---	----

**Weight in gram**

free for ...

... iPad mini 4	876
... iPad Air 2 & iPad Pro 9,7"	924
... iPad Pro 12,9"	1.010

**Electrical connections**

Power supply	100-240 Vac 50-60 Hz
--------------	-------------------------

Power consumption	18 Watt
-------------------	---------

**Removal from power supply**

free may be removed from the power supply via the circuit breaker in the respective rooms.



# Installation flush-mount box

**Step 1** free can be installed either in portrait or landscape position, it is your choice.

**For installation in landscape position:**

Make an elongated hole in the wall (68mmx139mm). Use a holesaw (two holes next to each other with 68mm diameter, center distance 71mm).

**For installation in portrait position:**

Use a holesaw and make two holes among each other with 68mm diameter, center distance 71mm.

The backside of the flush-mount box can be used as a template. The depth should be approximately 75mm.

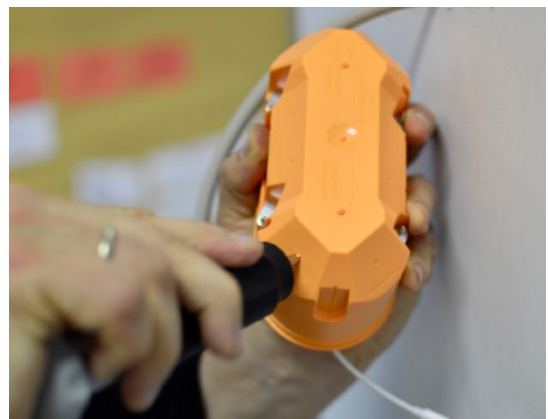
**! Important:** This installation guide shows the installation process for a drywall. Here free is installed in landscape position.



**Step 2** Cut a hole for the cable in the flush-mount box. Use the diagonal surfaces of the box for the cut. (See photo.) Cut the hole from the back side of the box. Make the hole correspond to the size needed for the cable.

If needed please prepare a second hole for the network LAN cable, please see

LAN/Ethernet extension module, Article 350200  
Add-on Set. Incl. USB 3.0 Gigabit Ethernet Adapter and CAT-Crimp Connector (RJ45 Male).



**Step 3** Insert the flush-mount box with the pre-installed installation disc into the opening in the wall. Pull 10-15 cm of the power cable through the opening.

**For free in landscape position:**

The integrated level will show you the 12 o'clock "UP" position. Adjust the flush mount box according to the level. (Final adjustments can be made at a later time.)

**For free in portrait position:**

The integrated level is in 3 o'clock position. Use an external level to align the box vertically.



**Step 4** **For drywall installation:**  
Fasten the flush-mount box to the wall.

**For stone or solid wall installation:**

Let the black installation disc mounted so that the flush mounted box is not deformed in any way.

**! IMPORTANT:** During installation, pay attention that the flush mount box is fastened parallel to the surface and is not shifted or offset in the wall.

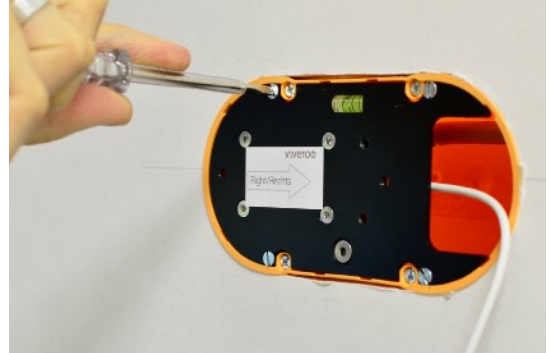
**! IMPORTANT:** It is important that the flush mounted box is not deformed in any way. Do not use any foaming installation materials that may put pressure on the box and deform it.



# Installation flush-mount box

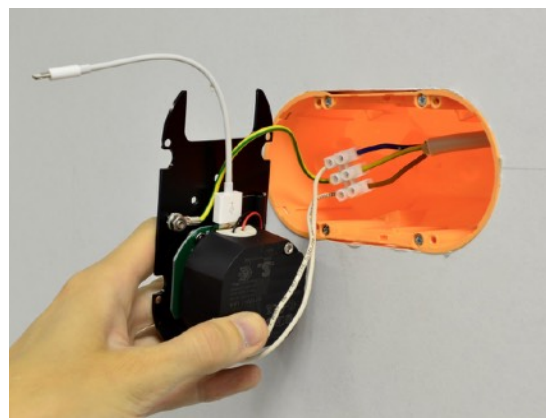
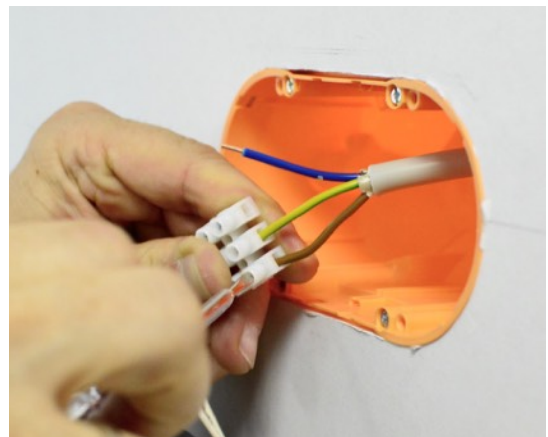
viveroo

**Step 5** Remove the installation disc by loosening the screws.



**Step 6** Now connect the connecting terminal with the current-carrying conductors (L, N) and the protective conductor.

**! Important:** Make sure that the power supply cord is unplugged during the entire installation and cannot be turned on accidentally.



**Step 7** Re-insert the installation disc with the three screws

**! Important:** Make sure that no cables are jammed between the flush mounting box and the installation disc.

After completing installation, please make sure that the free is solidly secured to the wall.

Now you can install free. Please see the corresponding user manual.

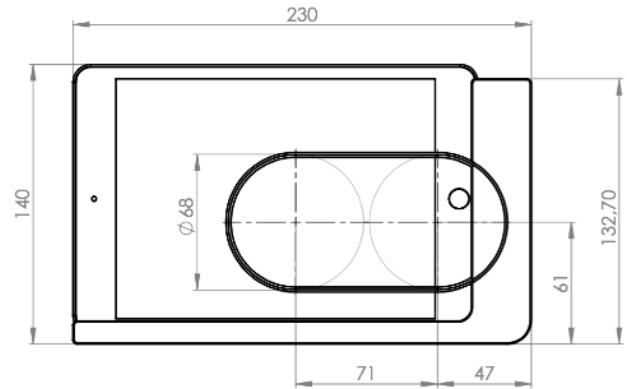


# Product dimensions, in mm

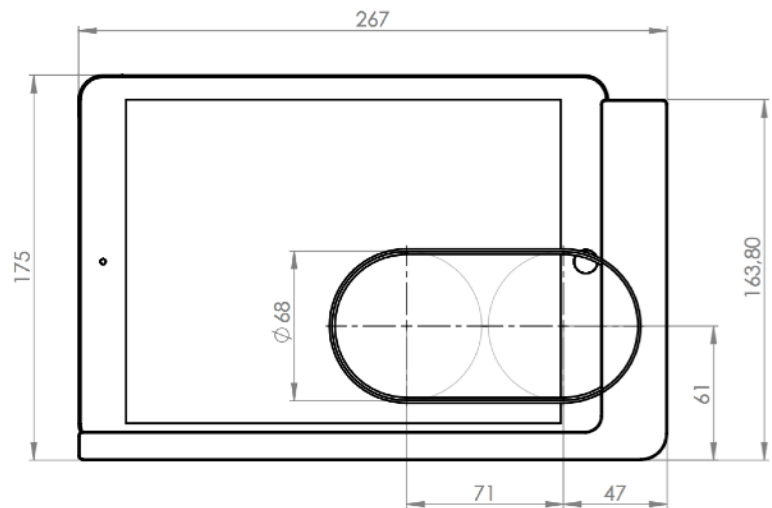


free for ...

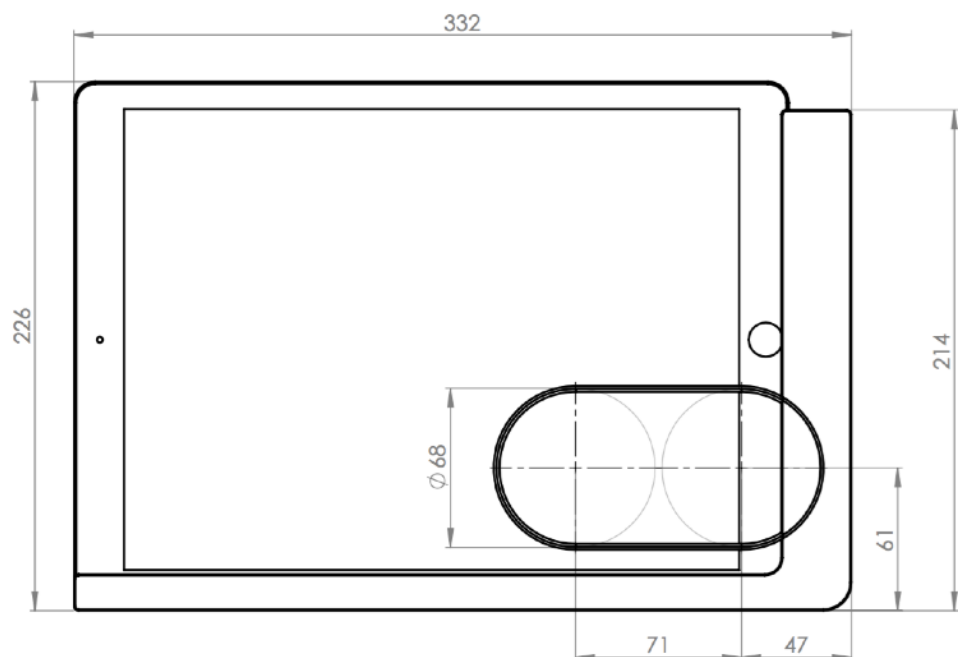
... iPad mini 4



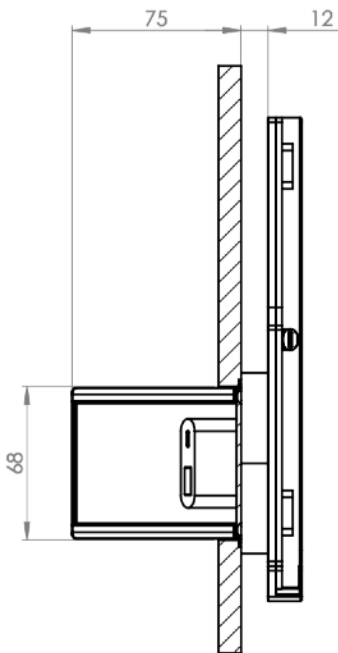
... iPad Air 2 & iPad Pro 9,7"



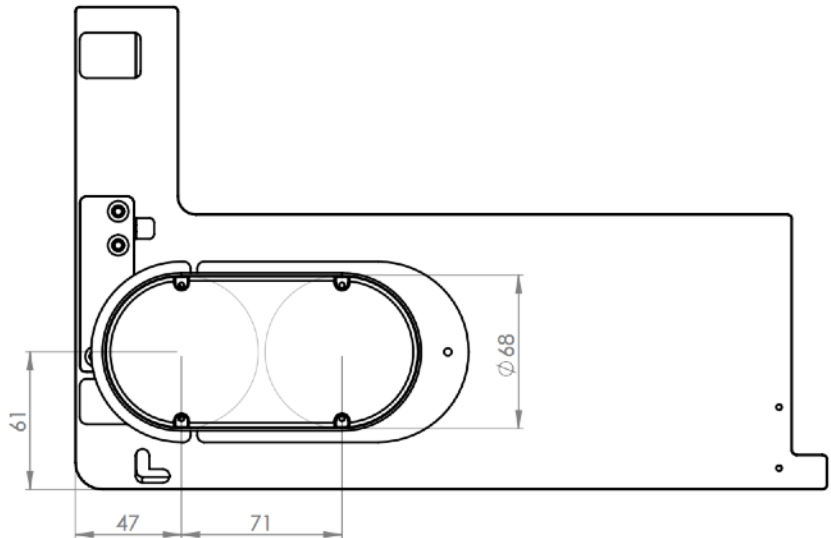
... iPad Pro 12,9"



# Technical drawing



**side view**  
from left to right: Flush mount  
box, mounting plate, free



**back view**  
The size of free varies depending on the iPad  
generation. Mounting plate is always the same, it  
allows you to change iPad generation easily.

