



Mounting options

Installation and cutting measurements

Technical data



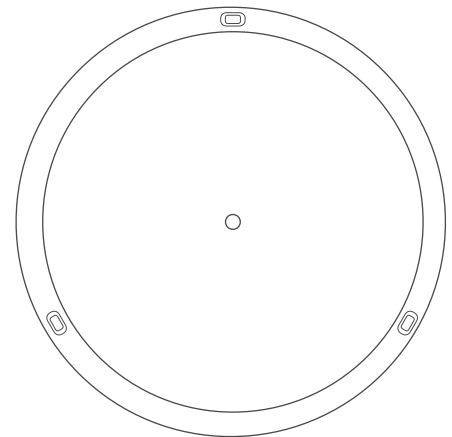
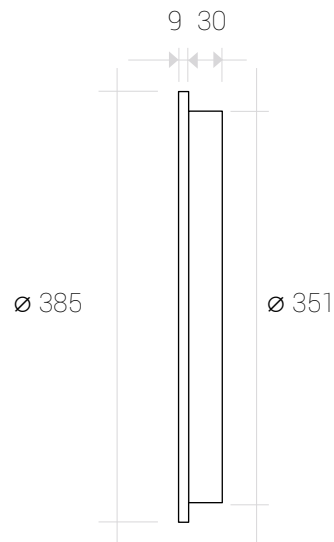
Install loop in ... 1. Furniture

For installation in furniture, cabinets, wooden materials displays etc., in mm

Installation **without** flush mount box.

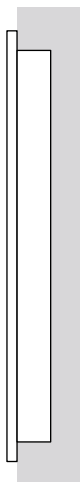
Direct screw-mounting.

Power supply: 12Vdc

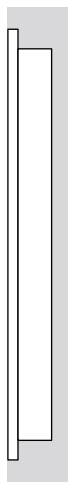


Mounting options ...

... overlying mounting



... flush mounting



What do you need?

MountingSet Furniture
Article 210300

incl. power supply and
mounting materials



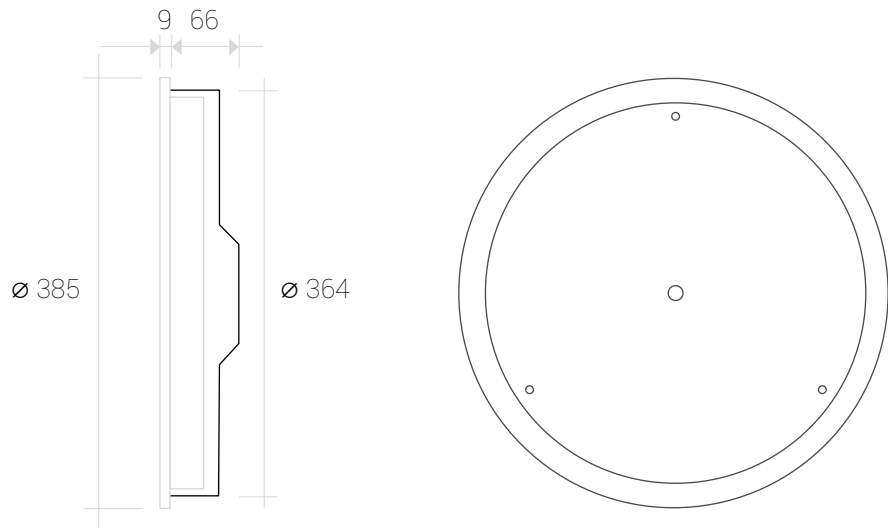
Install loop in ... 2. Walls

Installation in drywall, stone or solid wall, in mm

Installation **with** flush mount box.

Attach loop to flush mount box.

Power supply: 110-230Vac



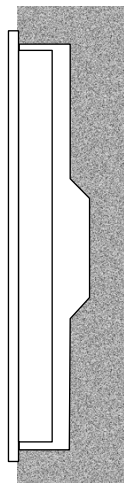
Mounting options ...

... overlying mounting

What do you need?

MountingSet Inwall
Article 210200

incl. flush mount box, power supply and mounting material

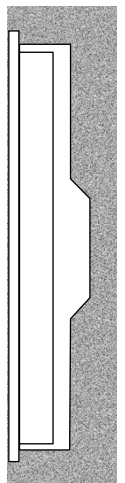


... perfect „flush to the wall“ installation

What do you need?

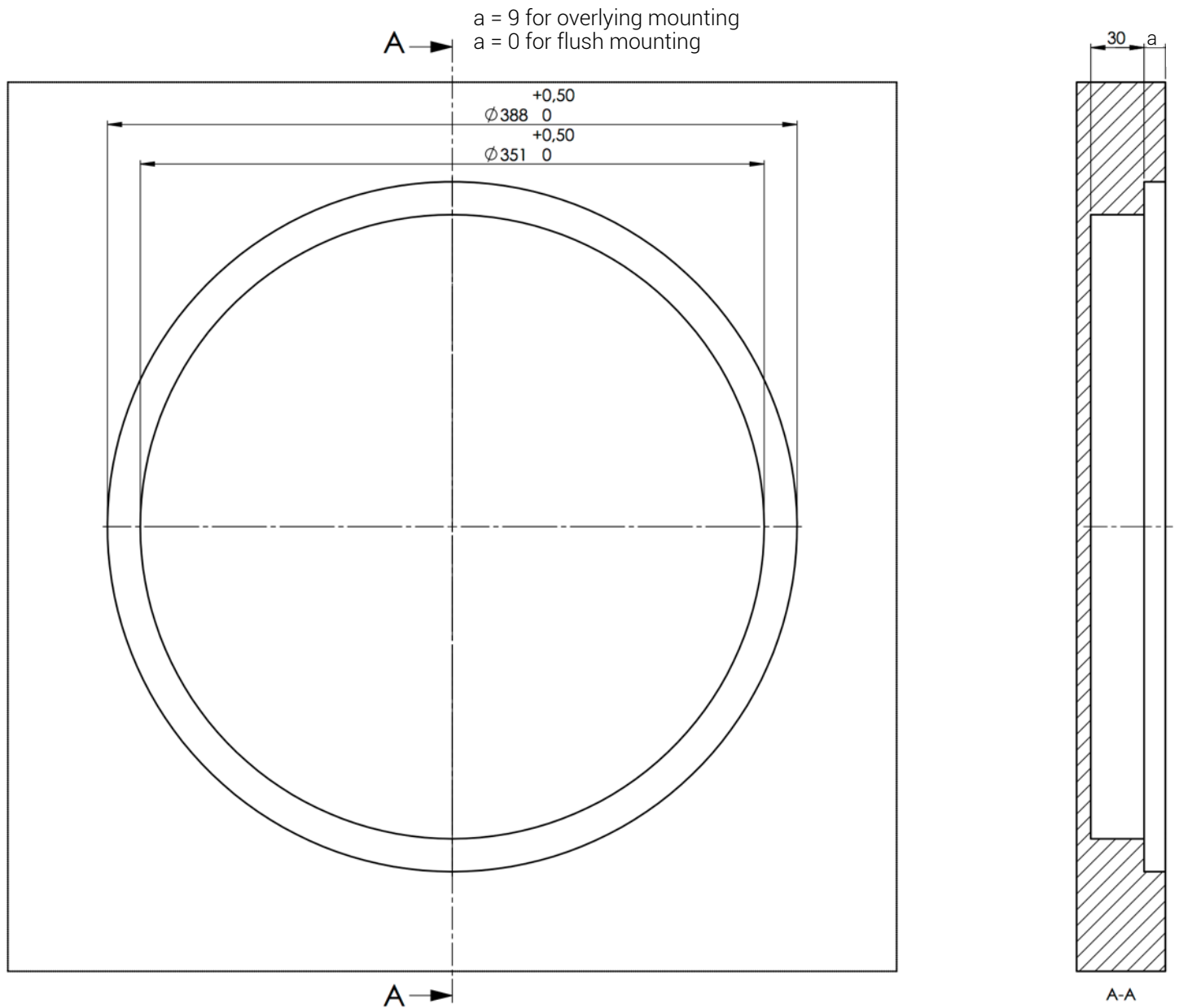
MountingSet Inwall
Article 210200
+
MountingSystem „Flush“
Article 210220

incl. flush mount frame and reinforcing grid



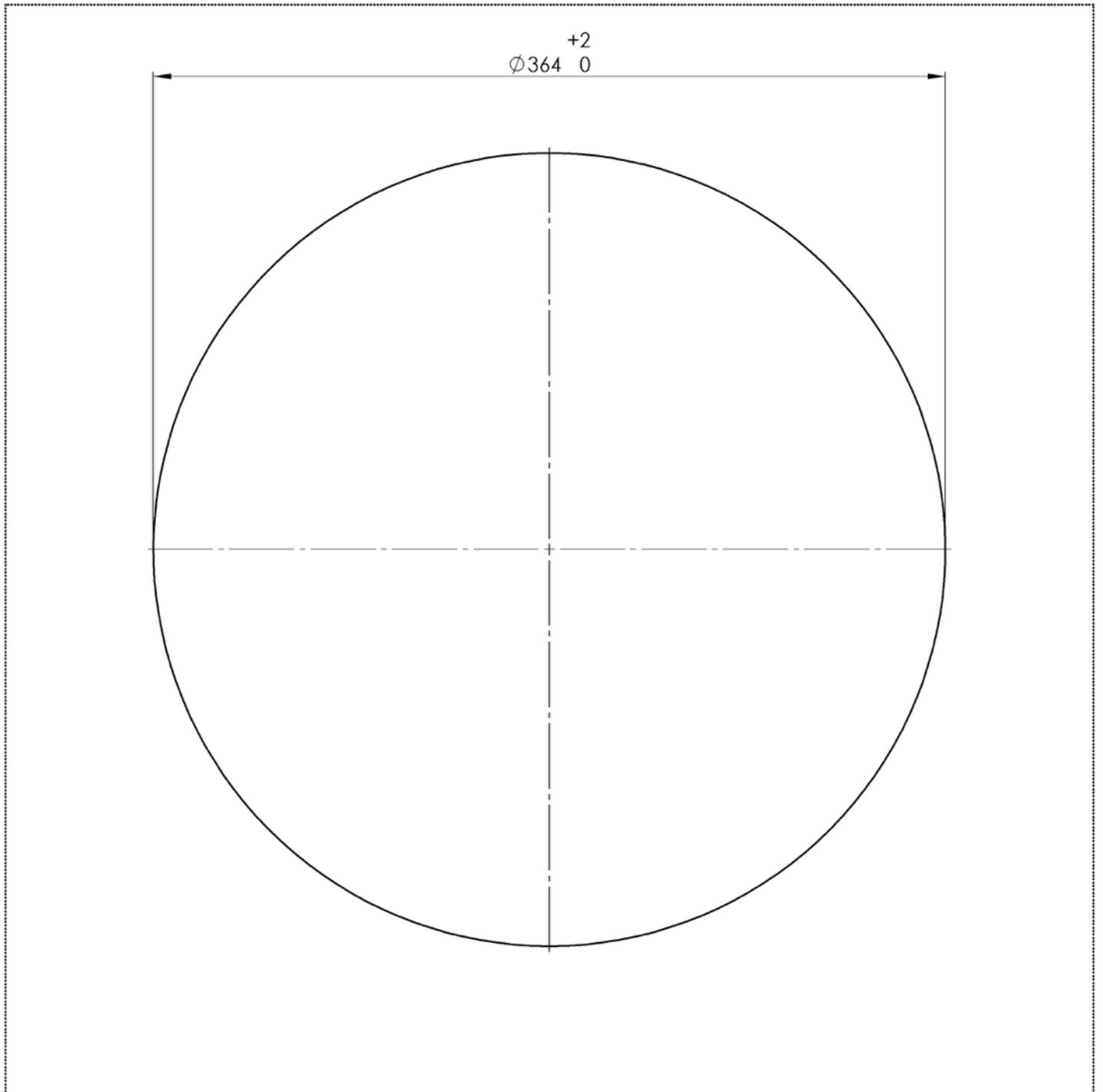
Cutting measurements: Furniture

For installation in furniture, cabinets, wooden materials displays etc., in mm



Cutting measurements: Walls

For installation in drywall, stone or solid wall, in mm



Technical data

loop

Product contents	<ul style="list-style-type: none"> - User manual loop - loop <p>Please note! External cable, power supply and mounting screws are included in loop MountingSet.</p>
Compatibility	Electrical operation of loop is permitted only in connection with loop Mounting Set and power supply and cable included in the Mounting Set. Operation of loop without a Mounting Set will lead to immediate loss of guarantee and warranty.
Weight	4,8 kg
Electrical connections	Low voltage: 10-18 Vdc Power consumption: 15 Watt
Disconnect from power supply	The loop can be disconnected from the main voltage through the ground wire of the room.
CE & Co.	<p>All loops have CE certification. loop is quality "Made in Germany". We use only high-quality parts and components produced by market leaders. loop customers are proud of their iPad Garage.</p> <p>*) Technical changes and mistakes are excepted.</p>

MountingSet Furniture

Product contents	<ul style="list-style-type: none"> - Cutting measurements for installation in furniture - Power supply (IN 200-240 Vac, 50 Hz, OUT 12 Vdc) especially for furniture installation, incl. separate instruction manual - 5m connection cable (to connect power supply and loop) - 1m power supply cable (to connect power supply and wall socket) - Spax-S back panel screws: 4 pieces 3x25 and 4 pieces 3,5x25
Electrical connections	Voltage: 200-240 Vac, 50 Hz Power consumption: 15 Watt Please note the operating instructions of the power supply.

MountingSet Inwall / MountingSystem „Flush“

Product contents	<ul style="list-style-type: none"> - Installation guide Inwall - loop flush mounting box with installation disc (rotating disc), incl. integrated level - Power supply (IN 230 Vac, 50 - 60 Hz, OUT 12 Vdc) with pre-installed loop power cable (including usage guidelines and installation guide) - Fastening screw packet (for attaching loop) with various length screws (see „Installation“ section) - For MountingSystem „Flush“: Installation guide, flush-plastered MountingSystem „Flush“. Flush mount frame with reinforcing grid
Electrical connections	Voltage: 230 Vac, 50-60 Hz Power consumption: 18 Watt Please note the operating instructions of the power supply.