

Mounting options

Installation and cutting measurements

Technical data



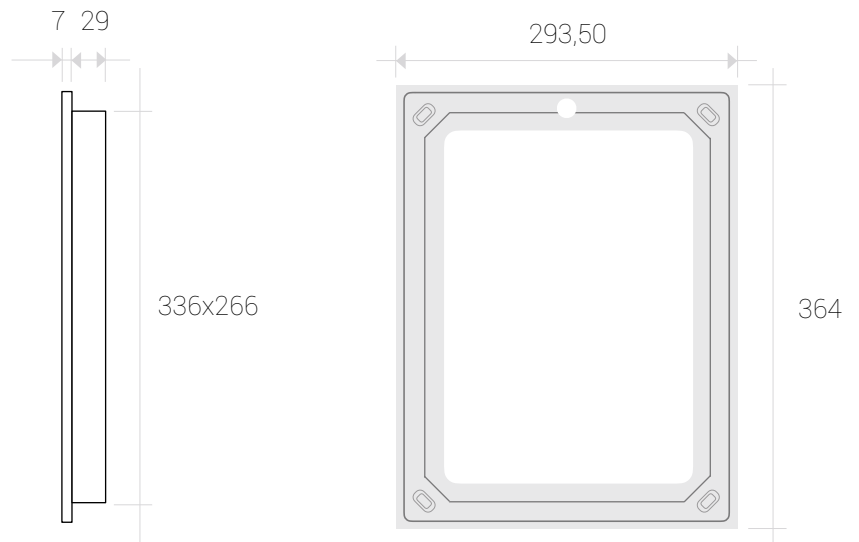
## Install square in ... 1. Furniture

For installation in furniture, cabinets, wooden materials displays etc., in mm

Installation **without** flush mount box.

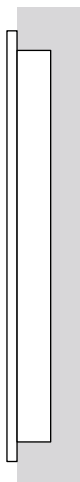
Direct screw-mounting.

Power supply: 12Vdc

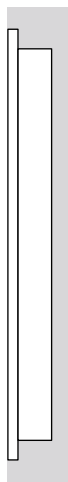


## Mounting options ...

... overlying mounting



... flush mounting



### What do you need?

MountingSet Furniture  
Article 210300

incl. power supply and  
mounting materials



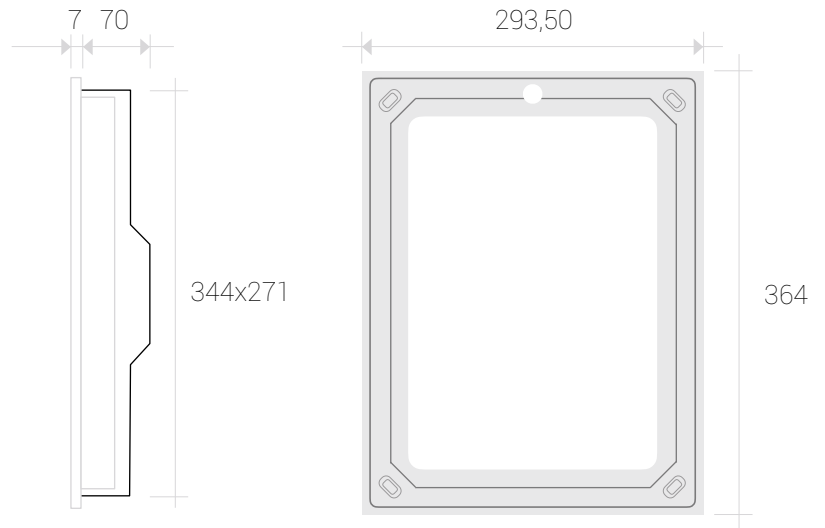
## Install square in ... 2. Walls

Installation in drywall, stone or solid wall, in mm

Installation **with** flush mount box.

Attach square to flush mount box.

Power supply: 110-230Vac



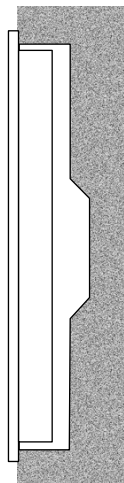
## Mounting options ...

... overlying mounting

### What do you need?

MountingSet Inwall  
Article 220200

incl. flush mount box, power supply and mounting material

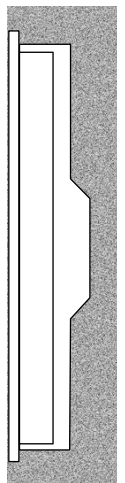


... perfect „flush to the wall“ installation

### What do you need?

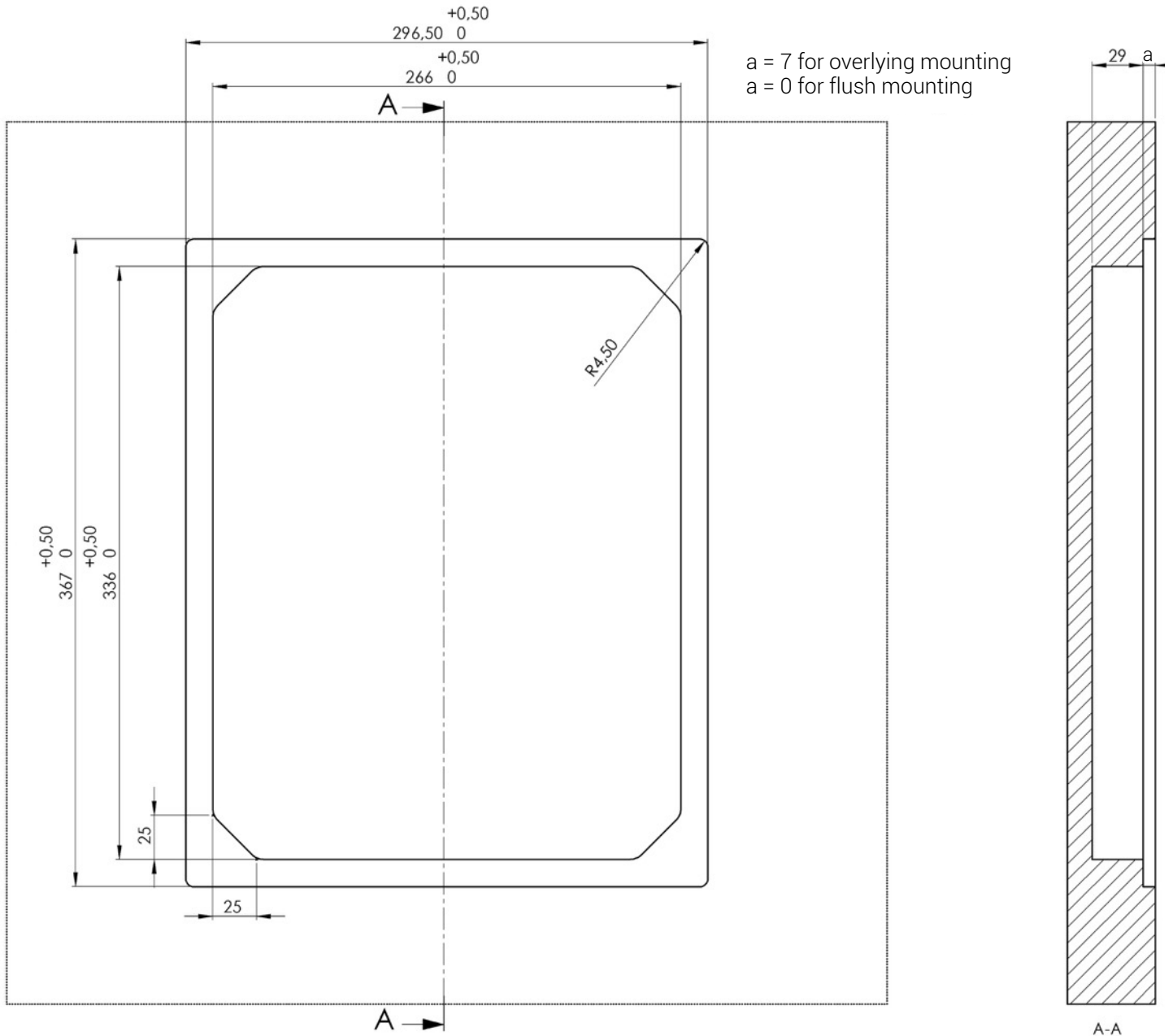
MountingSet Inwall  
Article 220200  
+  
MountingSystem „Flush“  
Article 220220

incl. flush mount frame and reinforcing grid

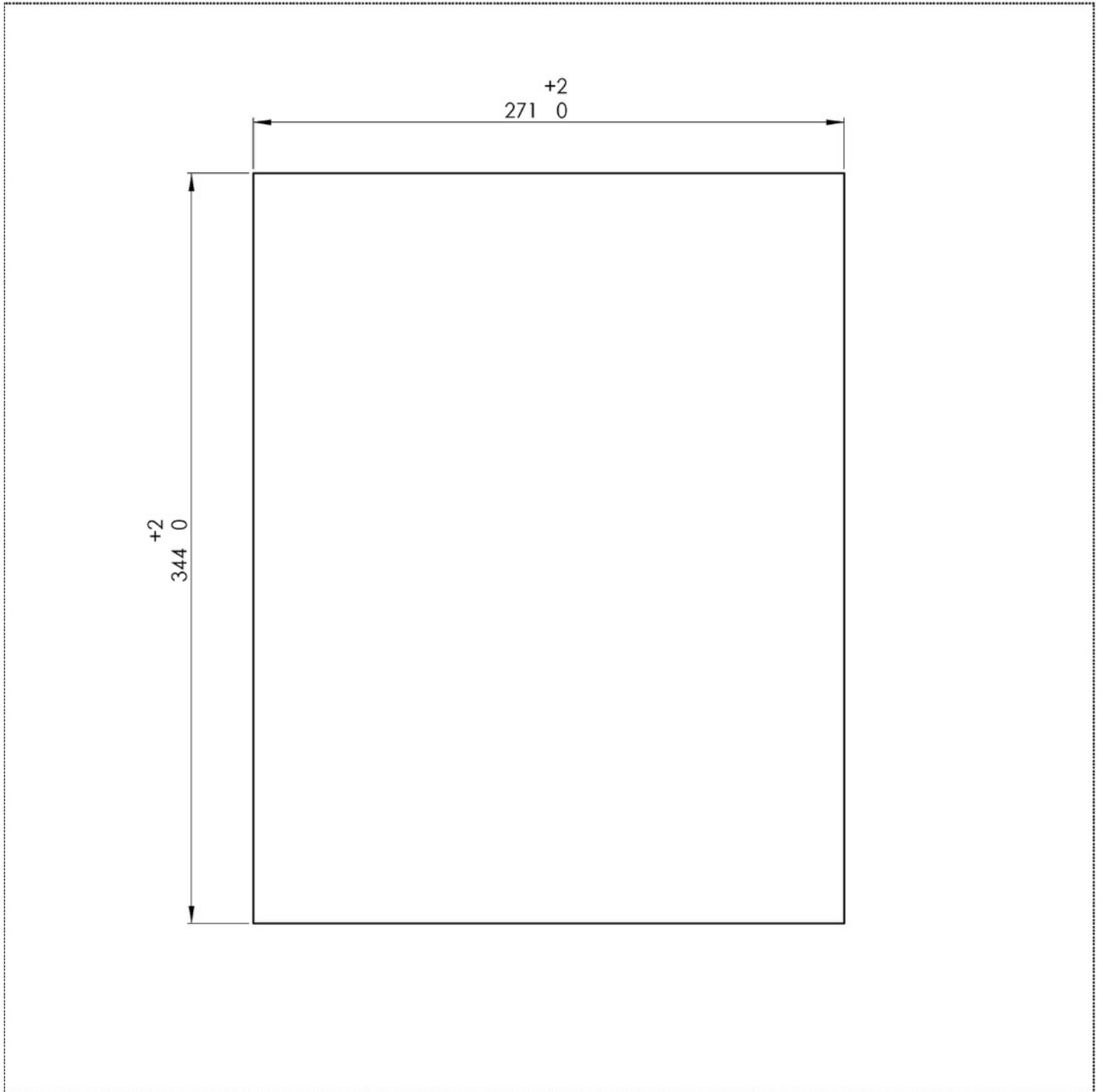


# Cutting measurements: Furniture

For installation in furniture, cabinets, wooden materials displays etc., in mm



Cutting measurements: Walls  
For installation in drywall, stone or solid wall, in mm



## Technical data

### square

Product contents	<ul style="list-style-type: none"> <li>- User manual square</li> <li>- square</li> </ul> <p><b>Please note!</b> External cable, power supply and mounting screws are included in square MountingSet.</p>
Compatibility	Electrical operation of square is permitted only in connection with square Mounting Set and power supply and cable included in the Mounting Set. Operation of square without a Mounting Set will lead to immediate loss of guarantee and warranty.
Weight	3,8 kg
Electrical connections	Low voltage: 10-18 Vdc Power consumption: 15 Watt
Disconnect from power supply	The square can be disconnected from the main voltage through the ground wire of the room.
CE & Co.	All squares have CE certification. square is quality "Made in Germany". We use only high-quality parts and components produced by market leaders. square customers are proud of their iPad Garage.  *) Technical changes and mistakes are excepted.

### MountingSet Furniture

Product contents	<ul style="list-style-type: none"> <li>- Cutting measurements for installation in furniture</li> <li>- Power supply (IN 200-240 Vac, 50 Hz, OUT 12 Vdc) especially for furniture installation, incl. separate instruction manual</li> <li>- 5m connection cable (to connect power supply and square)</li> <li>- 1m power supply cable (to connect power supply and wall socket)</li> <li>- Spax-S back panel screws: 4 pieces 3x25 and 4 pieces 3,5x25</li> </ul>
Electrical connections	Voltage: 200-240 Vac, 50 Hz Power consumption: 15 Watt Please note the operating instructions of the power supply.

### MountingSet Inwall / MountingSystem „Flush“

Product contents	<ul style="list-style-type: none"> <li>- Installation guide Inwall</li> <li>- square flush mounting box</li> <li>- Power supply (IN 230 Vac, 50 - 60 Hz, OUT 12 Vdc) with pre-installed square power cable (including usage guidelines and installation guide)</li> <li>- Fastening screw packet (for attaching square) with various length screws (see „Installation“ section)</li> </ul> <p>For MountingSystem „Flush“: Installation guide, flush-plastered MountingSystem „Flush“. Flush mount frame with reinforcing grid</p>
Electrical connections	Voltage: 230 Vac, 50-60 Hz Power consumption: 18 Watt Please note the operating instructions of the power supply.